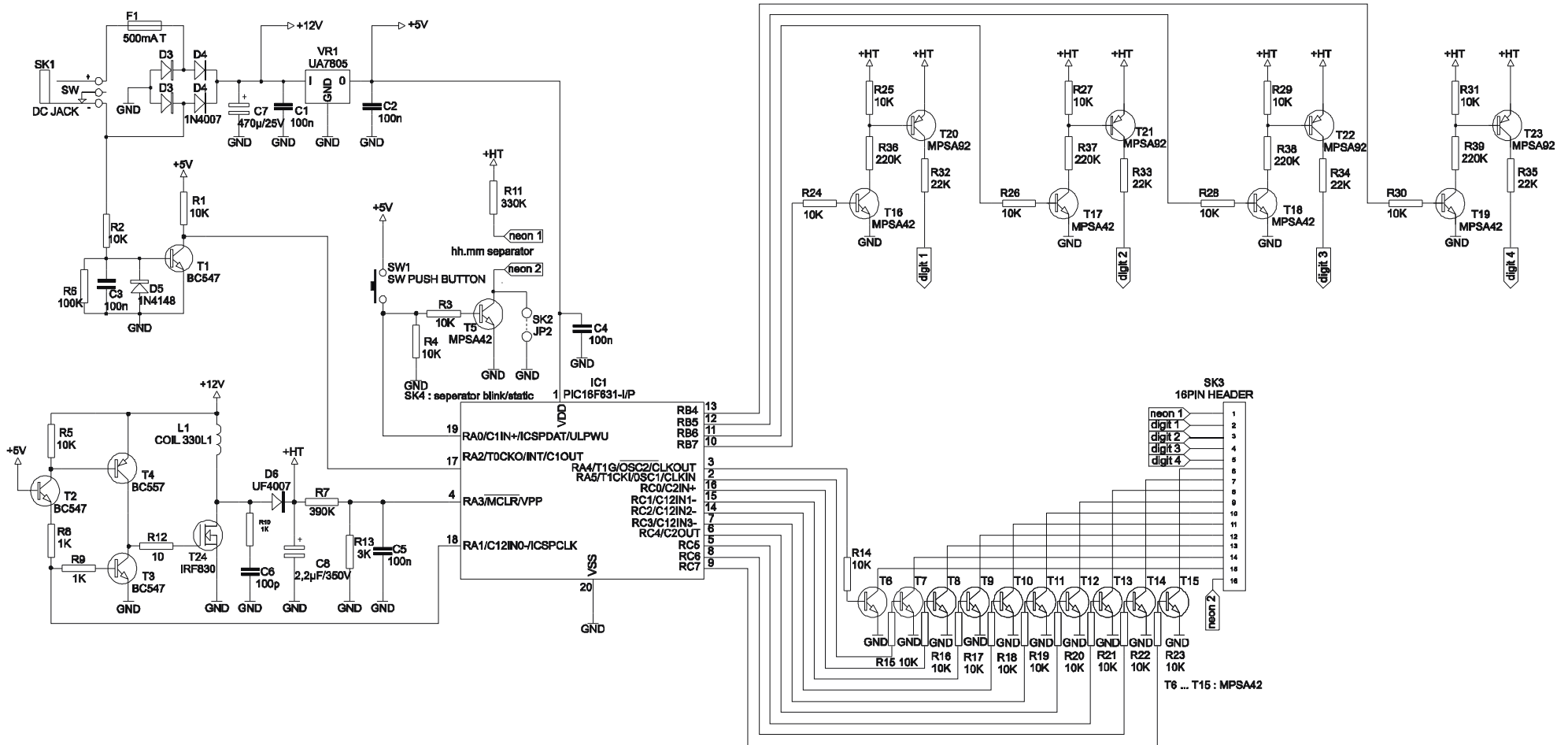


Schematic diagram "base"



Schematic diagram "display"

